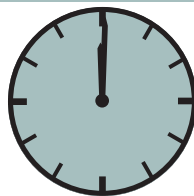


compatible with 19R5080 (with 5114)  
and 19R5514



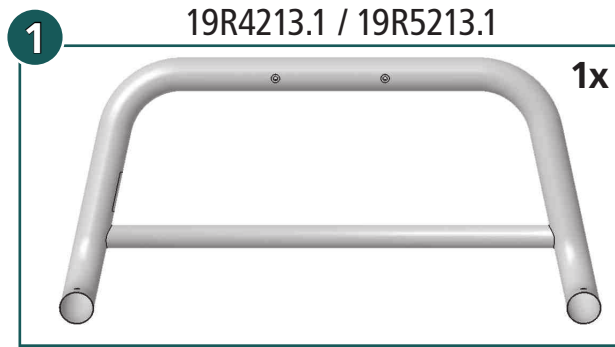
## MONTAGEANLEITUNG ASSEMBLING INSTRUCTIONS



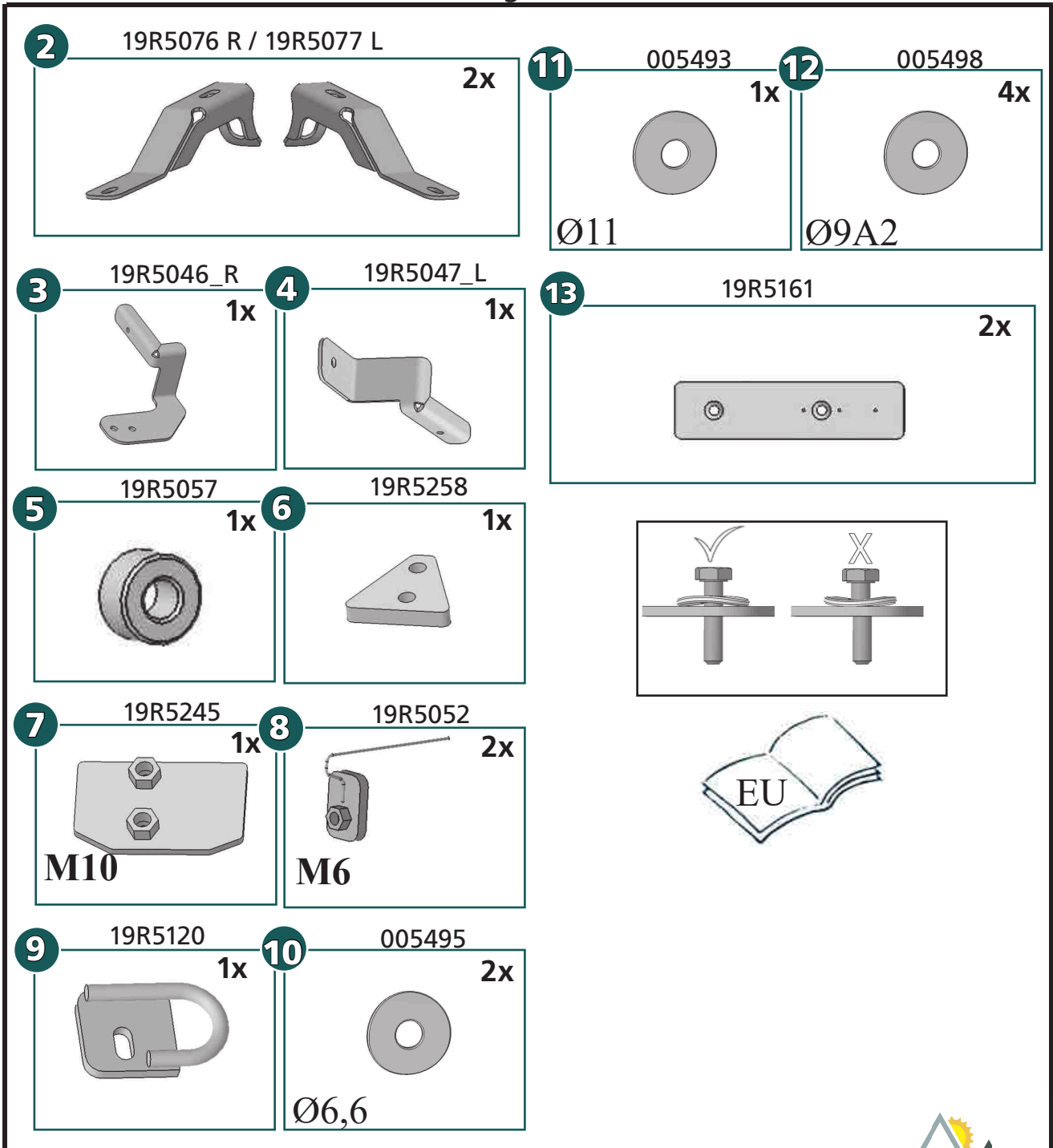
60 Minuten

weight: ca.7,0 kg

EU-FRONTAL PROTECTION BAR 60 WITH CROSS PIPE 42 / EU-FRONTSCHUTZBÜGEL 60 MIT QUERROHR 42  
- Artikel-Nr: 19R 4213



mounting kit: 19R9213



article no.:  
 19R4213 (S) inox  
 19R5213 black steel

Revision 2: 17.07.2019



M6:  
10 Nm  
M8<sub>(A2)</sub>:  
21,4 Nm  
M10:  
50 Nm


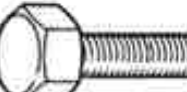
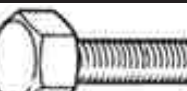
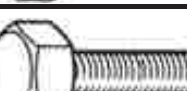
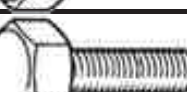

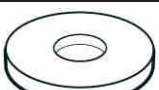




10  
13  
17



M6:  
2Nm



	M6x30; DIN 7991 Zn	4x
	M6x25; DIN 933 Zn	2x
	M8x25; DIN 933 A2	4x
	M10x45; DIN 933 Zn	2x
	M10x50; DIN 933 Zn	1x
	M10; DIN 934 Zn	1x
	Ø10,5; DIN 9021 Zn	2x
	Ø10,5; DIN 125 Zn	1x
	Getowell M6	4x

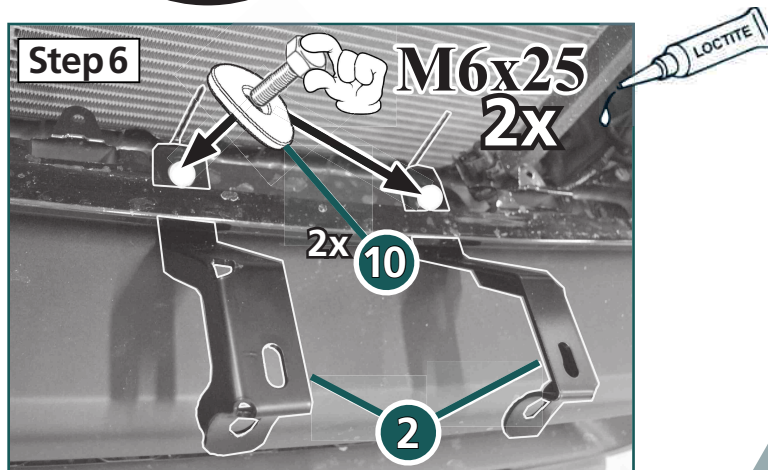
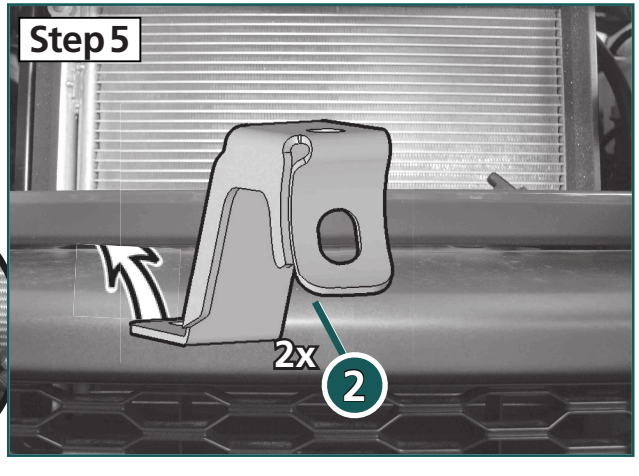
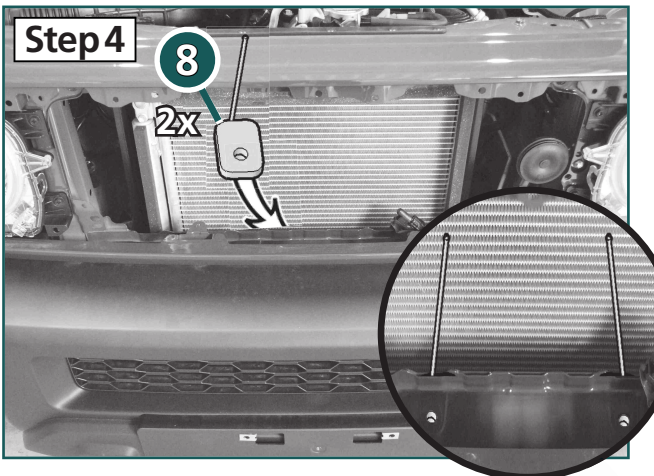
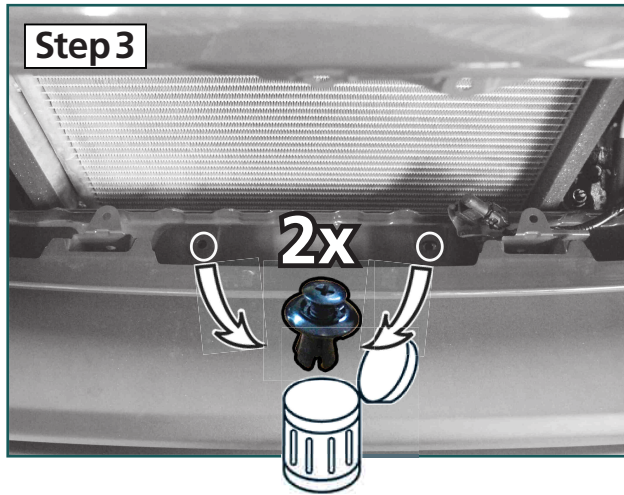
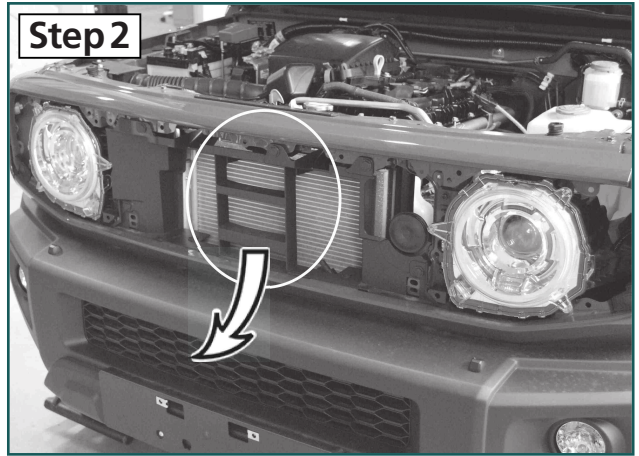
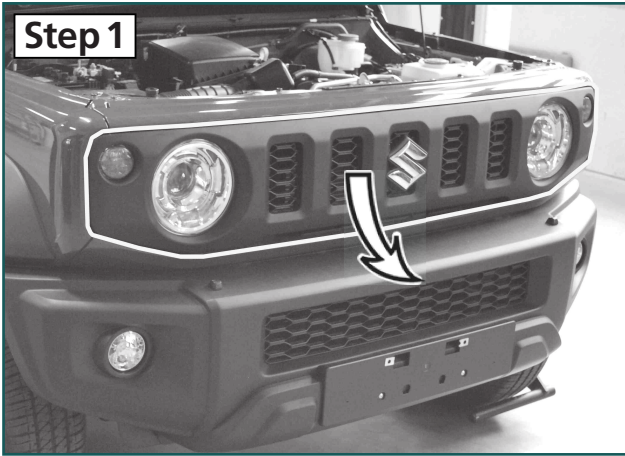
article no.:

19R4213 (S) inox

19R5213 black steel

Revision 2: 17.07.2019

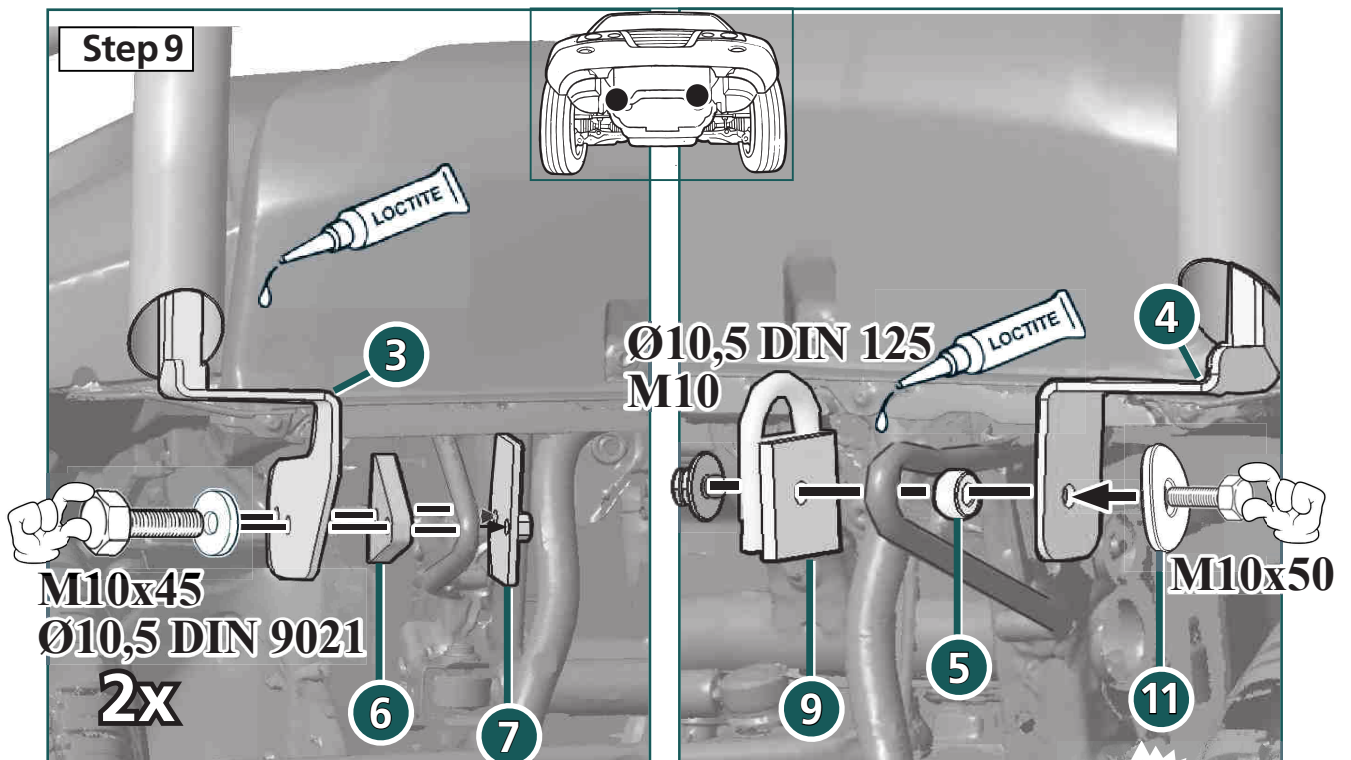
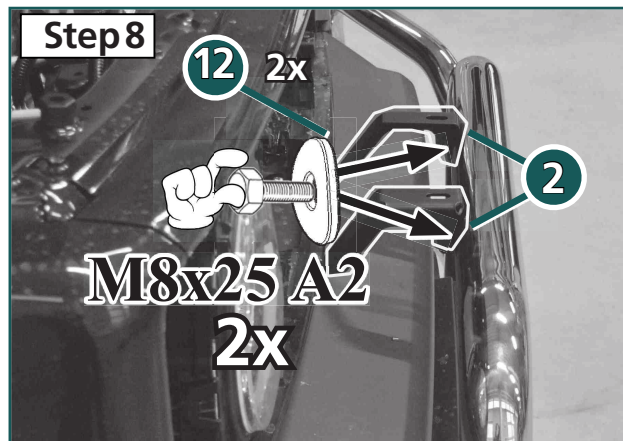
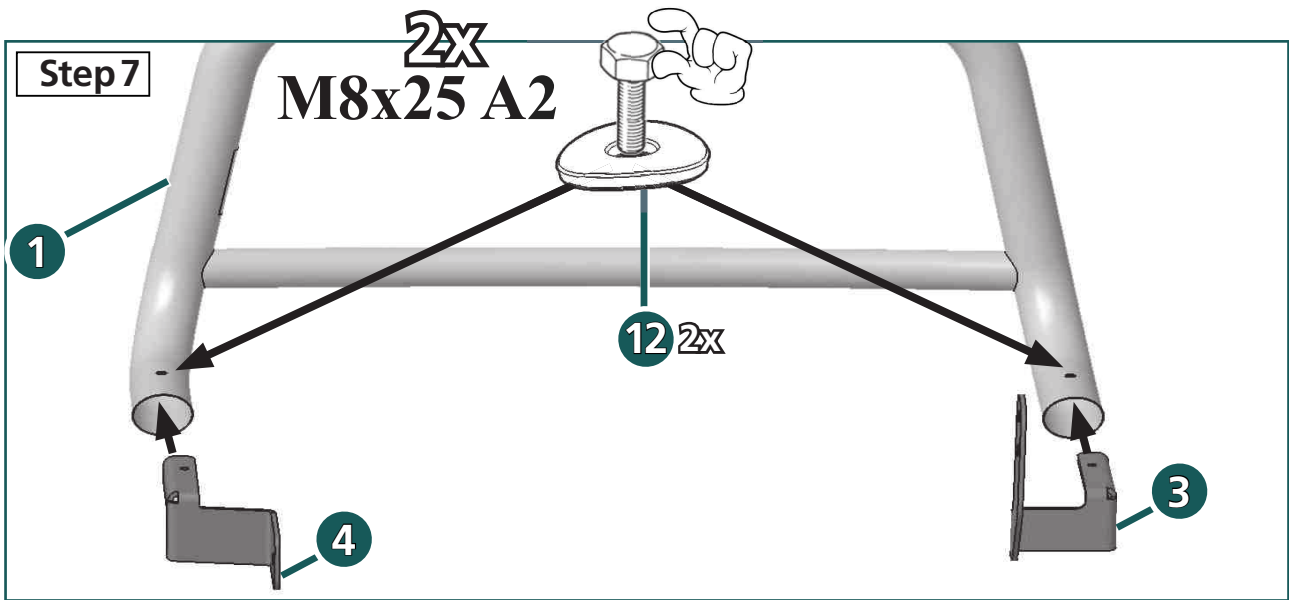




article no.:  
 19R4213 (S) inox  
 19R5213 black steel

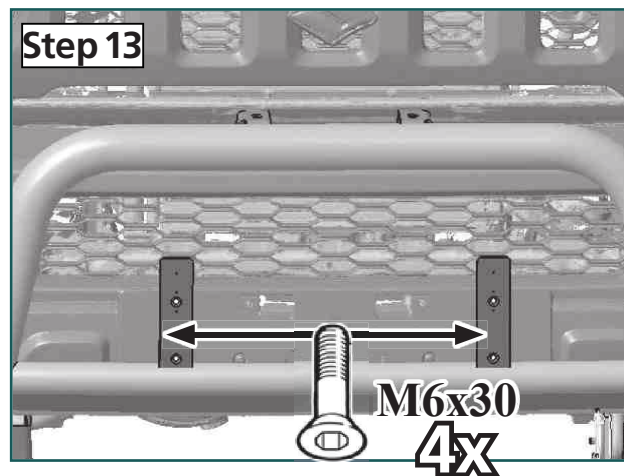
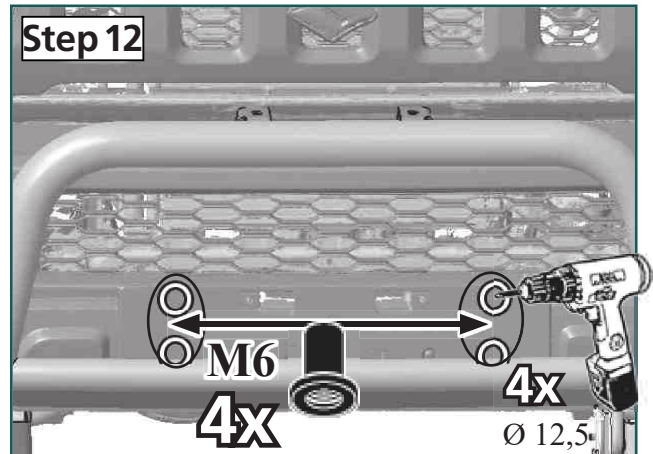
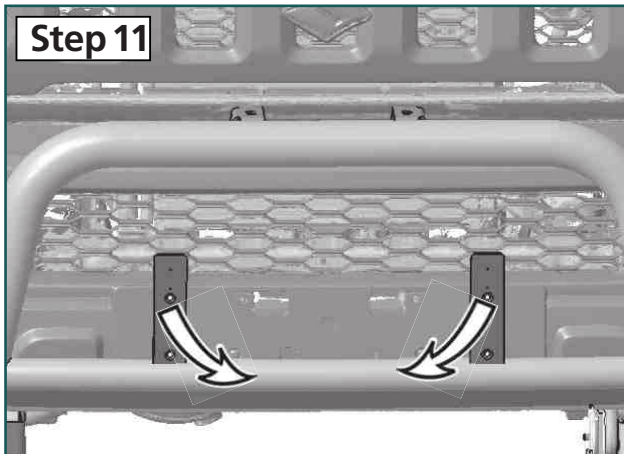
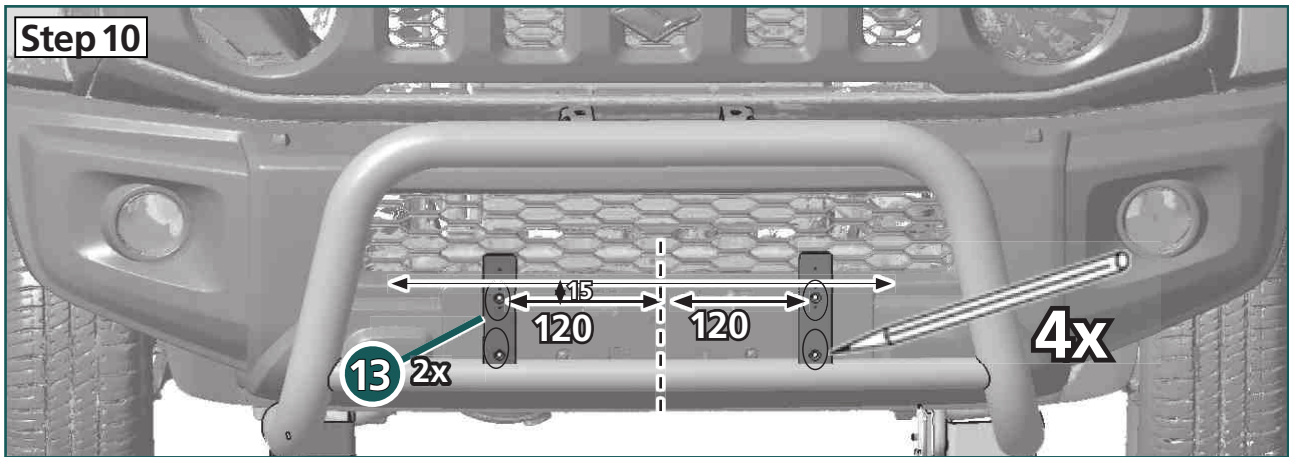
Revision 2: 17.07.2019





article no.:  
 19R4213 (S) inox  
 19R5213 black steel

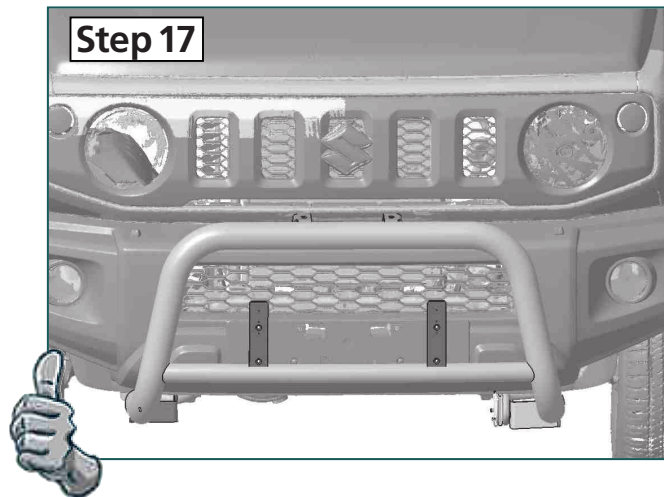
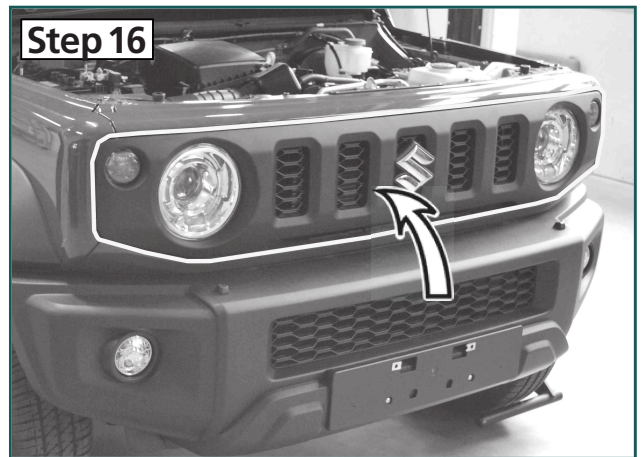
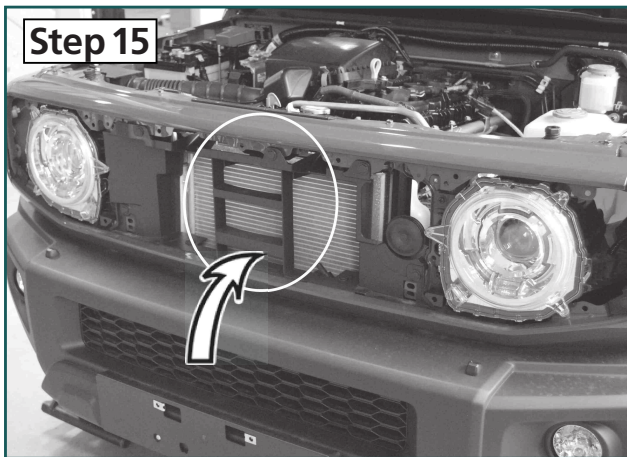
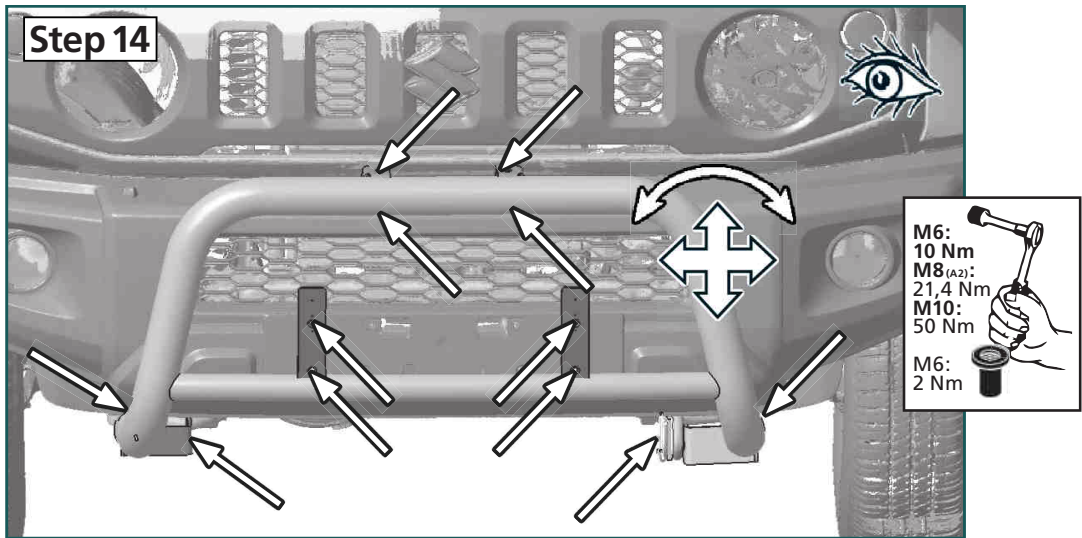




article no.:  
 19R4213 (S) inox  
 19R5213 black steel

Revision 2: 17.07.2019





article no.:  
19R4213 (S) inox  
19R5213 black steel

Revision 2: 17.07.2019

