



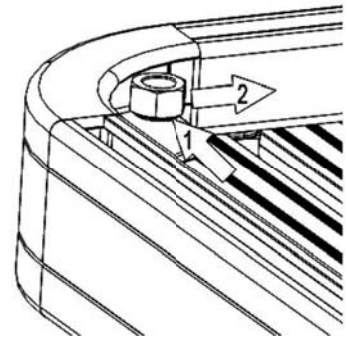
INSTALL TIME: 5 Mins

1 MOUNTING THE BOTTLE OPENER

You will need:
□ a 5 mm Hex Key

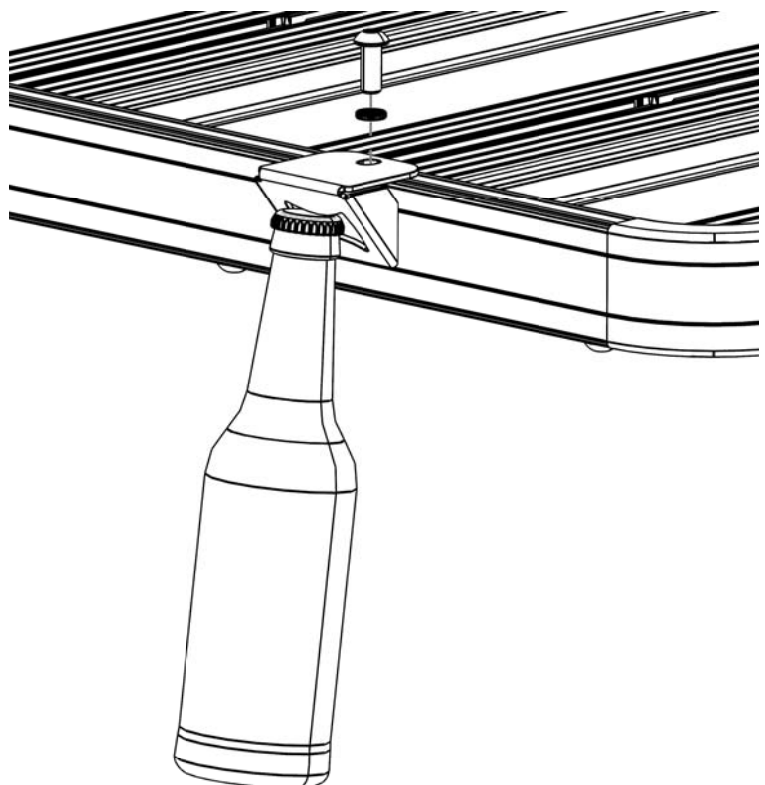
(A) Decide where on your rack you would like to mount your Bottle Opener. On the chosen side, slide the M8 Nyloc Nut (Dome side down) into the "T-slot" channel through the gap in the corner as shown.

Slide the Nyloc Nut down the "T-slot" channel to the desired location.



(B) Position the Bottle Opener above the Nyloc Nut, lining up the hole in the top of the Bottle Opener with the Nyloc Nut. Fasten the Bottle Opener to the rack using the Button Head Bolt and Flat Washer supplied.

To open the bottle, insert the bottle into the Opener as shown and lift /pull the bottle upwards.



Congratulations, you have completed your installation. Take a step back and admire your work. Good Job!